

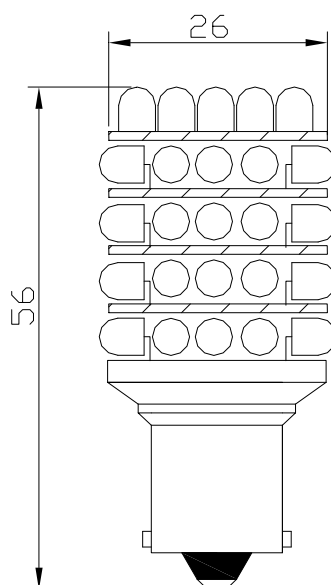
## SPECIFICATION FOR APPROVAL

### DESCRIPTION:

(A) Electronics And Optical Characteristics: Ta=25°C

PART NO	Emitting Color	Forward Voltage Unit: V	Totality Luminous Intensity Unit: LM	Single LED Intensity Unit: mcd	Dominant Wavelength Unit: nm	Viewing Angle Unit: deg	Color Temperature Unit: K
9895020	WHITE	12	87	800-1200	X/Y: 0.28/±0.02	85	7000-9000
9895018	RED	12	32	300-400	620~625	85	/
9895019	YELLOW	12	29	300-500	585-595	85	/
<b>Test Condition</b>	<b>Power:3.2W</b>	<b>Current:280mA</b>		<b>IF=20mA</b>	<b>IF=20mA</b>	<b>IF=20mA</b>	
<b>IR max: 0.01mA; VR=5V</b>							

Figure:



(B) Absolute Maximum Ratings AT Ta=25°C

PARAMETER	MAX/MIN	UNIT
Continuous Forward Current	290	mA
Peak Forward Current (1/10 Duty Cycle 0.1ms Pulse Width)		mA
Reverse Voltage	12	V
Operating Temperature Range	-30°C to +85°C	
Storage Temperature Range	-40°C to +100°C	
<b>Lead Solder Temperature 1.6mm Below Package 260°C For 5 seconds</b>		