

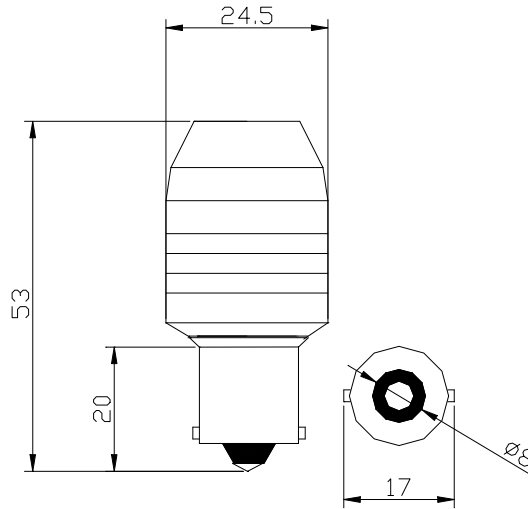
SPECIFICATION FOR APPROVAL

DESCRIPTION:

(A) Electronics And Optical Characteristics: Ta=25°C

PART NO	Emitting Color	Forward Voltage Unit: V	Totality Luminous Intensity Unit: LM	Single LED Intensity Unit: mcd	Dominant Wavelength Unit: nm	Viewing Angle Unit: deg	Color Temperature Unit: K
9895011	WHITE	12	34.5	1000-1200	X/Y: 0.28/±0.02	85	9500
9895009	RED	12	9	300-400	620~625	85	/
9895010	YELLOW	12	9.5	300-500	585-595	85	/
Test Condition	Power:1.2W	Current: 105mA		IF=20mA	IF=20mA		IF=20mA
IR max: 0.01mA; VR=5V							

Figure:



(B) Absolute Maximum Ratings AT Ta=25°C

PARAMETER	MAX/MIN	UNIT
Continuous Forward Current	120/98	mA
Peak Forward Current (1/10 Duty Cycle 0.1ms Pulse Width)		mA
Reverse Voltage	12	V
Operating Temperature Range	-30°C to +85°C	
Storage Temperature Range	-40°C to +100°C	
Lead Solder Temperature 1.6mm Below Package 260°C For 5 seconds		