

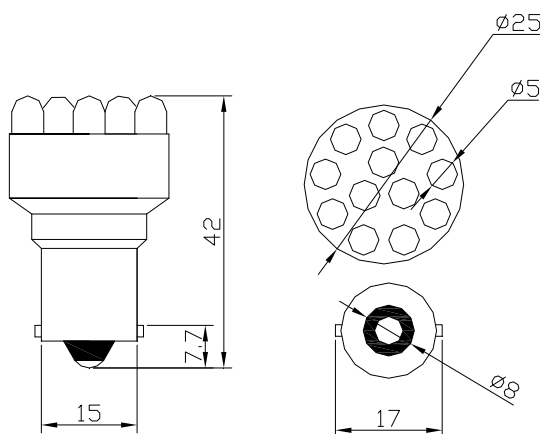
SPECIFICATION FOR APPROVAL

DESCRIPTION:

(A) Electronics And Optical Characteristics: Ta=25°C

PART NO	Emitting Color	Forward Voltage Unit: V	Totality Luminous Intensity Unit: LM	Single LED Intensity Unit: mcd	Dominant Wavelength Unit: nm	Viewing Angle Unit: deg	Color Temperature Unit: K
9895003	WHITE	12	26	10000-15000	X/Y: 0.28/±0.02	18	9500
9895004	RED	12	8.8	3000-6000	616~620	18	/
9895005	YELLOW	12	8.5	3000-5000	585~595	18	/
Test Condition	Power:0.84W	Current:72mA		IF=20mA	IF=20mA	IF=20mA	
IR max: 0.01mA; VR=5V							

Figure:



(B) Absolute Maximum Ratings AT Ta=25°C

PARAMETER	MAX/MIN	UNIT
Continuous Forward Current	80/65	mA
Peak Forward Current (1/10 Duty Cycle 0.1ms Pulse Width)		mA
Reverse Voltage	12	V
Operating Temperature Range	-30°C to +85°C	
Storage Temperature Range	-40°C to +100°C	
Lead Solder Temperature 1.6mm Below Package 260°C For 5 seconds		